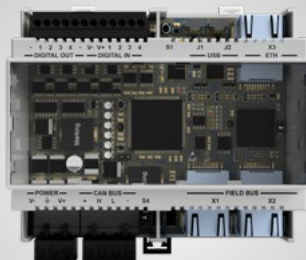


INXPECT SAFETY RADAR EQUIPMENT

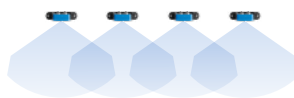
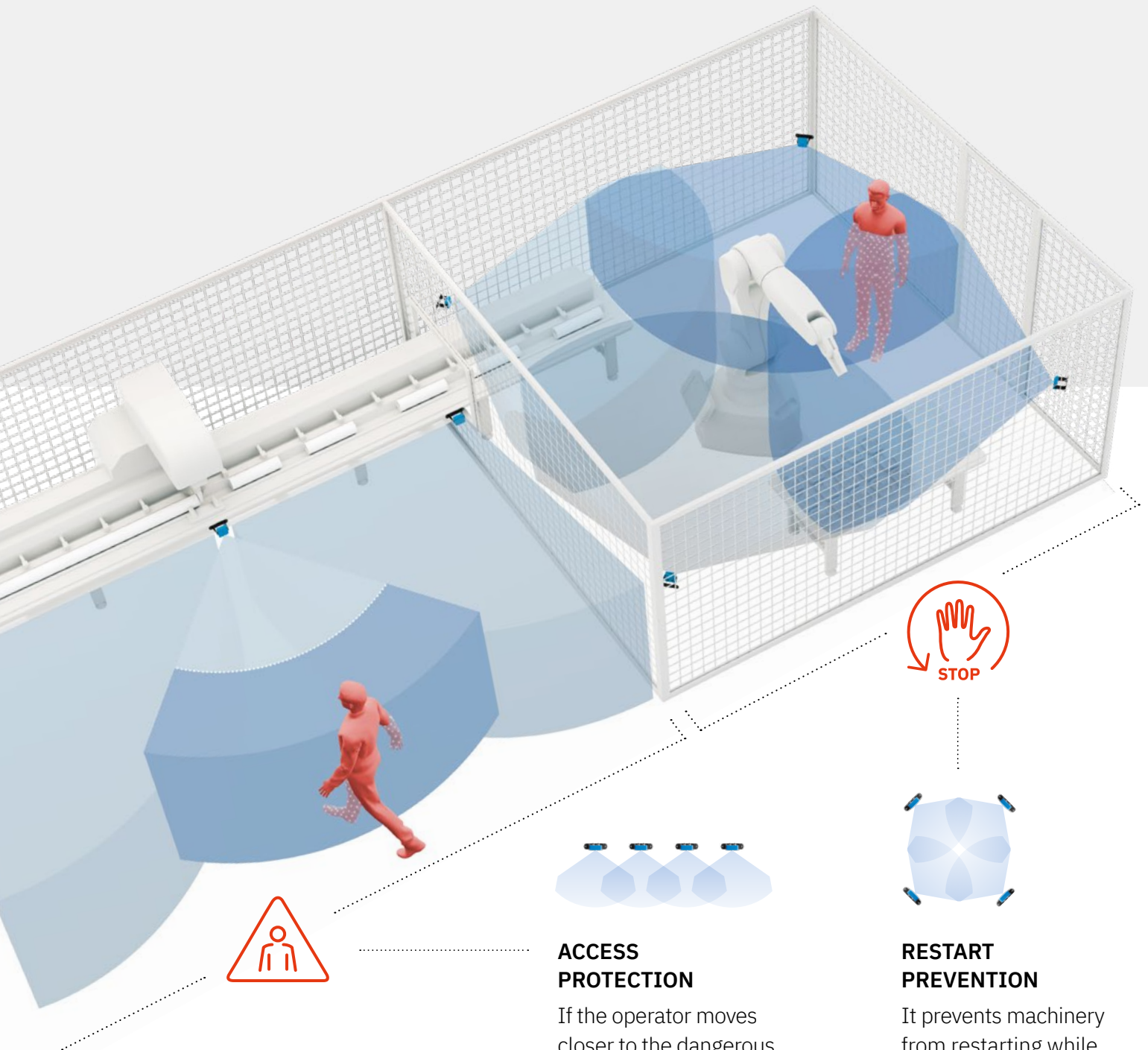
Product catalogue



INXPECT SAFETY PRODUCTS

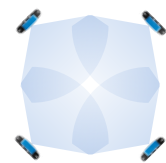
Smart Safety

Industrial safety at its best: Inxpect safety radars detect access or presence of operators in dangerous areas, allowing real-time dynamic setting of the detection and warning zones.



ACCESS PROTECTION

If the operator moves closer to the dangerous area, it places machinery in a safe state.



RESTART PREVENTION

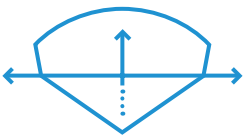
It prevents machinery from restarting while operators are in the dangerous area.

World's first SIL2/PLd and UL Listed safety radar products



It works where optical sensors stop.
High safety without compromising productivity

Optical devices often fail due to dust, smoke, water or waste generated by the production process. The Inxpect team, highly specialized in radar technology, has developed a sophisticated long range radar algorithm that filters out those disturbances, reducing false alarms and increasing productivity.



DYNAMIC MODIFICATION OF THE DETECTION ZONE

The sensor parameters can be configured in real-time, allowing a dynamic modification of the detection zone. This feature makes them perfect solutions for mobile robotic applications.



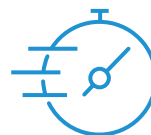
IMPROVE THE COMMUNICATION WITH THE MACHINERY

The modular fieldbus allows Inxpect Smart Sensors to exchange safety data, such as the position of the target, in real time with the machinery's PLC. This allows an effective integration with the machinery's control system.



SECURE CONFIGURATION

Whether you chose USB or Ethernet for configuring Inxpect Safety Radar Products, we got you covered. In all cases, Inxpect control units and the Inxpect Safety Application cooperate in full security.

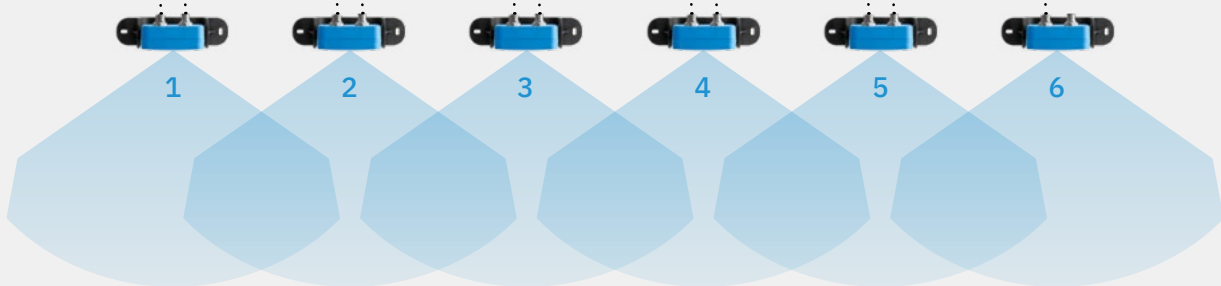


RESPONSE TIME < 100 ms

With response times lower than 100 ms, you can save space and reduce the area required to stop the machinery.

**INXPECT
SAFETY APPLICATION**

**INXPECT
CONTROL UNIT**

**INXPECT
SMART RADAR
SENSORS**


Flexible, modular, scalable

Inxpect Safety Radar systems are composed of a **control unit** and up to six **smart radar** sensors: high flexibility, from simple to complex scenarios.

Configuring the system is quick and easy, thanks to the user friendly **Inxpect Safety Application**.

Guided validation procedures and the simple generation of the configuration report complete each installation.



A perfect alignment between sensors is not required.



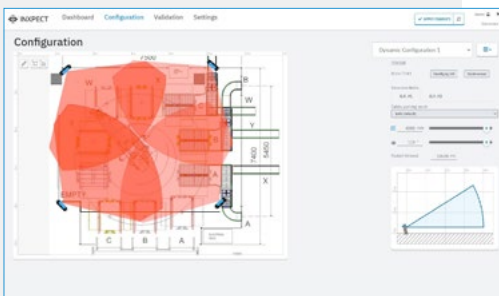
The provided Inxpect Safety Application allows to set up to 32 different configurations to be selected dynamically in real time.



Programmable Muting function: the configuration of sensor groups that can be temporarily muted allows operators to safely access parts of the dangerous area, according to production needs.

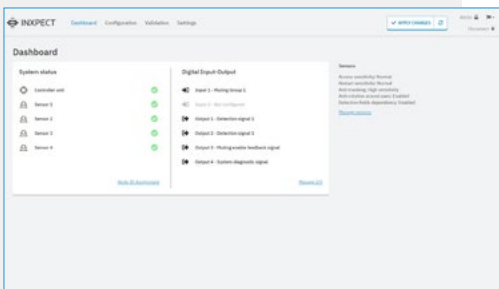
Inxpect Safety Application

The software allows simple and intuitive configuration and subsequent validation of the coverage area. The Inxpect Safety App is a software application that can be installed on any PC or Mac, and that guides the user to the configuration of the volumetric coverage areas of Inxpect safety radar systems, the setting I/O interfaces configuration and system parameters, and the validation process. It is an integral part of all Inxpect safety systems.


1

SYSTEM CONFIGURATION

Easily set all sensor and control unit parameters, as well as import machinery layouts in different formats.


2

SYSTEM STATUS CHECK

Reporting of the status of the control unit and single sensors, outputs and inputs.


3

SYSTEM VALIDATION

The Inxpect Safety App guides users through the validation of the system and the production of draft validation reports.

Smart Sensor



100 SERIES

LBK-S01

The world's first SIL-rated and UL listed safety radar sensor



200 SERIES

SBV-01

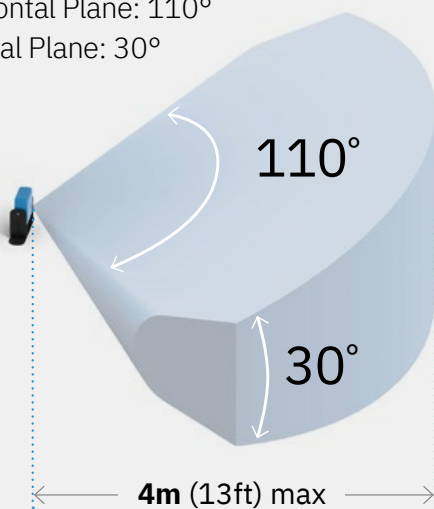
The answer to the demands of complex applications

TWO CONFIGURABLE FIELDS OF VIEW (FOV)

1. Wide

Horizontal Plane: 110°

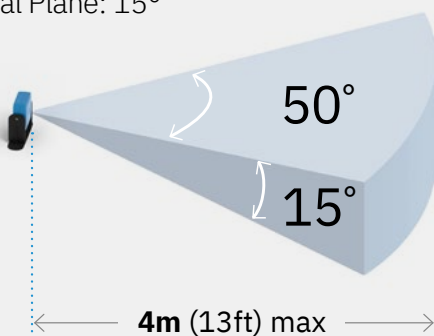
Vertical Plane: 30°



2. Narrow

Horizontal Plane: 50°

Vertical Plane: 15°

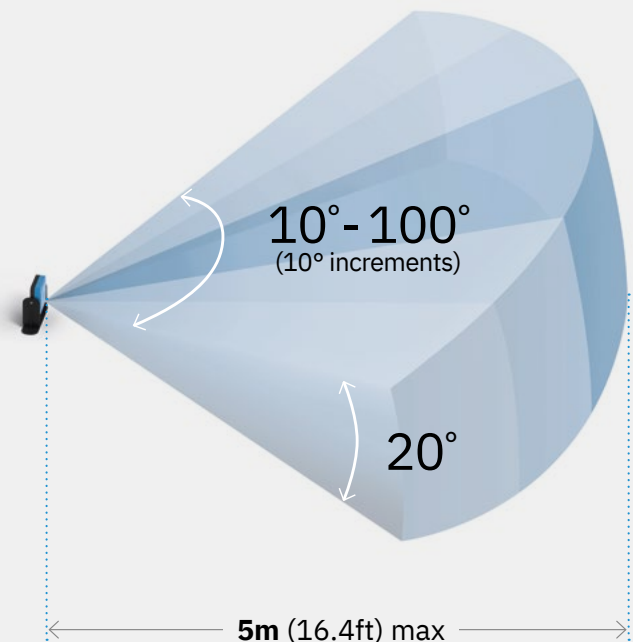


Restart time: 10s

THE FIRST MULTI-AREA, DYNAMIC-FIELD 3D SAFETY RADAR

Horizontal Plane: 10-100°

Vertical Plane: 20°



Aperture is field-selectable, and dynamically adjustable in 10° increments.

Up to four different (safe) alarm areas, with ranges between 0.5m and 5m.

Restart time: 4s

Safety Parameters:

- SIL2 (IEC 61508)
- PLd, Cat. 2 (ISO 13849)

Safety Parameters:

- SIL2 (IEC 61508)
- PLd, Cat. 3 (ISO 13849)
- Performance Class D (IEC/TS 62998-1)

Control Unit



200 SERIES

ISC-B01

Fieldbus,
Ethernet and
digital I/O



200 SERIES

ISC-02

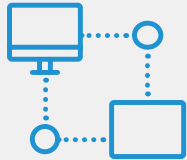
Ethernet and
digital I/O



200 SERIES

ISC-03

Digital I/O



ADVANCED CONNECTIVITY

- Safety Fieldbus
- Secure Ethernet
- USB
- Digital I/O, including two dual-channel Safety Outputs



DYNAMIC SETTING OF DETECTION FIELDS

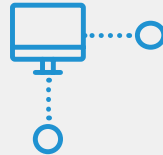
Up to 32 configurations switchable in real time



SECURE ETHERNET CONFIGURATION

Safety Parameters:

- SIL2 (IEC 61508)
- PLd, Cat. 3 (ISO 13849)
- Performance Class D (IEC/TS 62998-1)



SIMPLE CONNECTIVITY

- Secure Ethernet
- USB
- Digital I/O, including two dual-channel Safety Outputs



DYNAMIC SETTING OF DETECTION FIELDS

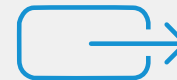
Up to 4 configurations switchable in real time



SECURE ETHERNET CONFIGURATION

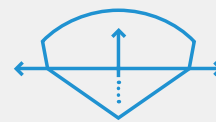
Safety Parameters:

- SIL2 (IEC 61508)
- PLd, Cat. 3 (ISO 13849)
- Performance Class D (IEC/TS 62998-1)



BASIC CONNECTIVITY

- USB
- Digital I/O, including two dual-channel Safety Outputs



DYNAMIC SETTING OF DETECTION FIELDS

Up to 4 configurations switchable in real time



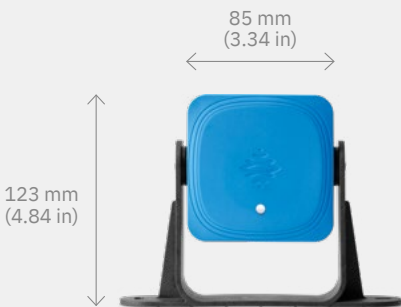
SECURE USB CONFIGURATION

Safety Parameters:

- SIL2 (IEC 61508)
- PLd, Cat. 3 (ISO 13849)
- Performance Class D (IEC/TS 62998-1)

LBK-S01

Part No. **90202011**



Smart Sensor 100 SERIES 24 GHz Radar

The **LBK-S01** sensor is a smart FMCW (Frequency Modulated Continuous Wave) radar device based on proprietary Inxpect detection algorithms. The sensor sends 24 GHz radio waves and recovers motion information, analyzing the returned signals reflected by both static and moving objects in the operative range.

The sensors perform the following primary functions:

- **Motion and scenario analysis.**
- **Communication to the control unit of processed motion data and diagnostic information.**



Certification



Technical details

<i>Frequency</i>	24 GHz ISM license-free
<i>Connectors</i>	Two 5-pin M12 connectors (1 male and 1 female)
<i>CAN bus termination resistance</i>	120 Ω (not supplied, to be installed with termination connector)
<i>Power supply</i>	12 V dc ± 20%, through control unit
<i>Power consumption</i>	1.2 W
<i>Degree of protection</i>	IP67
<i>Operating temperature</i>	From -30 to +60 °C (-22 to +140 °F)
<i>Case material</i>	Sensor: PA66 Bracket: PA66 and glass fiber (GF)

SBV-01

Part No. **90302010**



Smart Sensor 200 SERIES 60GHz Radar

The **SBV-01** sensor is a smart FMCW (Frequency Modulated Continuous Wave) radar device based on proprietary Inxpect detection algorithms. Operating in the millimeter waves V band (60 GHz), it can detect complex scenes by analyzing the returned signals reflected by both static and moving objects in the operative range.

With dynamically selectable horizontal field of view and up to four alarm areas, it is ideal for complex application scenarios, including mobile use cases.

The sensors perform the following primary functions:

- **Motion and scenario analysis.**
- **Communication to the control unit of processed motion data and diagnostic information.**



Certification



Technical details

<i>Frequency</i>	Millimeter waves V-band: 60 GHz
<i>Connectors</i>	Two 5-pin M12 connectors (1 male and 1 female)
<i>CAN bus termination resistance</i>	120 Ω (not supplied, to be installed with termination connector)
<i>Power supply</i>	12 V dc ± 20%, through control unit
<i>Power consumption</i>	2.8 W
<i>Degree of protection</i>	IP67
<i>Operating temperature</i>	From -30 to +60 °C (-22 to +140 °F)
<i>Case material</i>	Sensor: PA66 (front) + Aluminum (back) Bracket: PA66 and glass fiber (GF)

SBV-01

Part No. 90302010



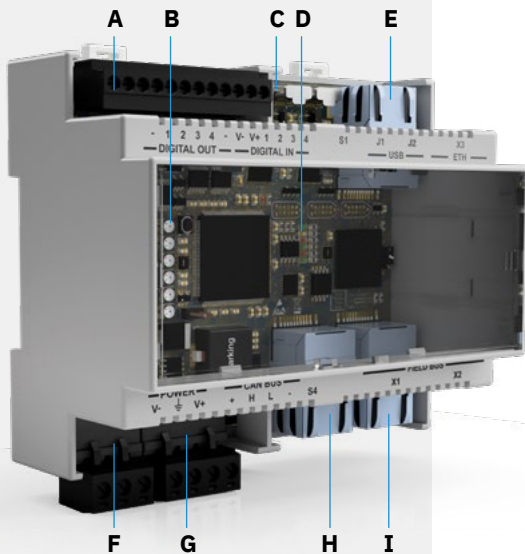
Smart Sensor 200 SERIES 60GHz Radar on 3 axes bracket

The advanced bracket system makes the installation and positioning of Inxpect's sensors easy and quick. The rotation around X and Z axes allows to optimise the coverage of the dangerous area by the FOV of the sensor, while the rotation around Y axis allows to take advantage of both horizontal and vertical angular coverage. The bracket system is perfect for the installation of the sensor on both horizontal and vertical surfaces.



ISC-B01

Part No. **90301011**



- A** - I/O terminal block
- B** - System status LED
- C** - Micro USB port
- D** - Fieldbus status LED
- E** - Ethernet port
- F** - Power supply terminal block
- G** - CAN bus terminal block for connecting the first sensor
- H** - Ethernet Fieldbus port n. 1
- I** - Ethernet Fieldbus port n. 2



Control Unit 200 SERIES

Fieldbus, Ethernet and digital I/O

ISC-B01 is the most advanced control unit for Inxpect safety radars, with the widest range of communication options. The Inxpect Safety Application allows the configuration of sensitivity levels, safety functions, size of detection fields, and the functionality of the I/O ports of the control unit.

Safety fieldbus

Currently supporting PROFI-safe fieldbus protocol.

Secure Ethernet

Remote configuration and management protected by industry standard cyber-security protocols.

USB

Local configuration option.

Digital inputs

Two dual-channel inputs supporting the following functions:

- muting signal
- emergency stop signal
- restart signal

Four Output Signal Switching Devices

As safety outputs: two dual-channel safety OSSDs.

As auxiliary outputs: four auxiliary outputs, which can be configured to signal restart feedback, fault, muting status.

Dynamic detection fields

All detection fields can be dynamically modified in real-time: up to two detection fields for LBK System Bus and up to four detection fields for SBV System Bus.

Certification

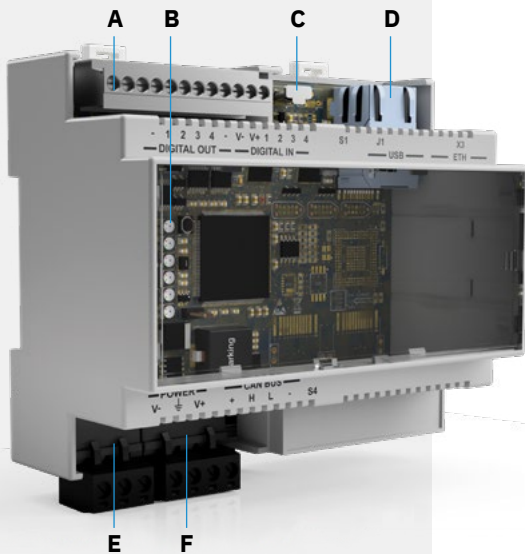


Technical details

Outputs	4 Outputs Signal Switching Devices (OSSDs) or 2 dual channel safety outputs
Safety outputs	High-side outputs (with extended protection function) Max voltage: 30 V dc Max current: 0.4 A Max power: 12 W
Inputs	2 dual channel TYPE3 digital inputs with common GND
Fieldbus interface	Ethernet based safety fieldbus (e.g. PROFIsafe)
Modbus interface	Ethernet interface for real time data monitoring
Power supply	24 V dc (20–28 V dc) Max current: 1 A (no OSSD)
Max power consumption	5 W (no OSSD)
Assembly	DIN guide
Degree of protection	IP20
Terminals	Section: 1 mm ² Max Current: 4 A with 1 mm ² cables
System configuration	Ethernet, USB

ISC-02

Part No. **90303011**



- A** - I/O terminal block
- B** - System status LED
- C** - Micro USB port
- D** - Ethernet port
- E** - Power supply terminal block
- F** - CAN bus terminal block for connecting the first sensor



Control Unit 200 SERIES

Ethernet and digital I/O

ISC-02 offers both USB and Ethernet communication interfaces, providing local and remote configuration options. In both cases, the Inxpect Safety Application allows the configuration of sensitivity levels, safety functions, size of detection fields, and the functionality of the I/O ports of the control unit.

Secure Ethernet

Remote configuration and management protected by industry standard cyber-security protocols.

USB

Local configuration option.

Digital inputs

Two dual-channel inputs supporting the following functions:

- muting signal
- emergency stop signal
- restart signal

Four Output Signal Switching Devices

As safety outputs: two dual-channel safety OSSDs.

As auxiliary outputs: four auxiliary outputs, which can be configured to signal restart feedback, fault, muting status.

Dynamic detection fields

All detection fields can be dynamically modified in real-time: up to two detection fields for LBK System Bus and up to four detection fields for SBV System Bus.

Certification

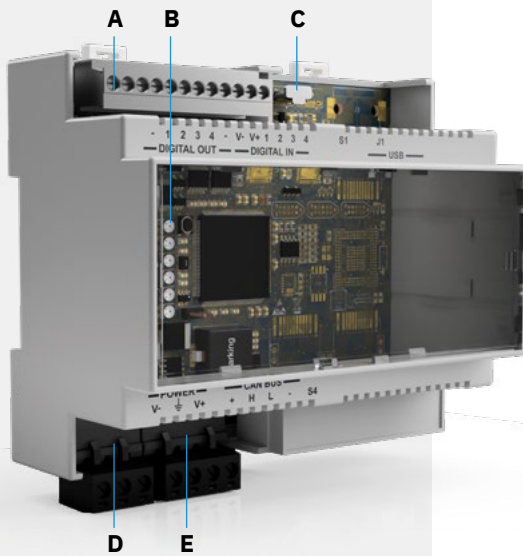


Technical details

Outputs	4 Outputs Signal Switching Devices (OSSDs) or 2 dual channel safety outputs
Safety outputs	High-side outputs (with extended protection function) Max voltage: 30 V dc Max current: 0,4 A Max power: 12 W
Inputs	2 dual channel TYPE3 digital inputs with common GND
Modbus interface	Ethernet interface for real time data monitoring
Power supply	24 V dc (20–28 V dc) Max current: 1A (no OSSD)
Max power consumption	5 W (no OSSD)
Assembly	DIN guide
Degree of protection	IP20
Terminals	Section: 1 mm ² Max Current: 4A with 1 mm ² cables
System configuration	Ethernet, USB

ISC-03

Part No. **90304011**



- A** - I/O terminal block
- B** - System status LED
- C** - Micro USB port
- D** - Power supply terminal block
- E** - CAN bus terminal block for connecting the first sensor



Control Unit 200 SERIES Digital I/O

ISC-03 provides basic but robust control functionality for any Inxpect safety radar sensor. The Inxpect Safety Application works via USB to configure the sensitivity levels, safety functions, size of detection fields, and the functionality of the I/O ports of the control unit.

USB

Local configuration option.

Digital inputs

Two dual-channel inputs supporting the following functions:

- muting signal
- emergency stop signal
- restart signal

Four Output Signal Switching Devices

As safety outputs: two dual-channel safety OSSDs.

As auxiliary outputs: four auxiliary outputs, which can be configured to signal restart feedback, fault, muting status.

Dynamic detection fields

All detection fields can be dynamically modified in real-time: up to two detection fields for LBK System Bus and up to four detection fields for SBV System Bus.

Certification



Technical details

<i>Outputs</i>	4 Outputs Signal Switching Devices (OSSDs) or 2 dual channel safety outputs
<i>Safety outputs</i>	High-side outputs (with extended protection function) Max voltage: 30 V dc Max current: 0,4 A Max power: 12 W
<i>Inputs</i>	2 dual channel TYPE3 digital inputs with common GND
<i>Power supply</i>	24 V dc (20–28 V dc) Max current: 1A (no OSSD)
<i>Max power consumption</i>	5 W (no OSSD)
<i>Assembly</i>	DIN guide
<i>Degree of protection</i>	IP20
<i>Terminals</i>	Section: 1 mm ² Max Current: 4A with 1 mm ² cables
<i>System configuration</i>	USB

Accessories

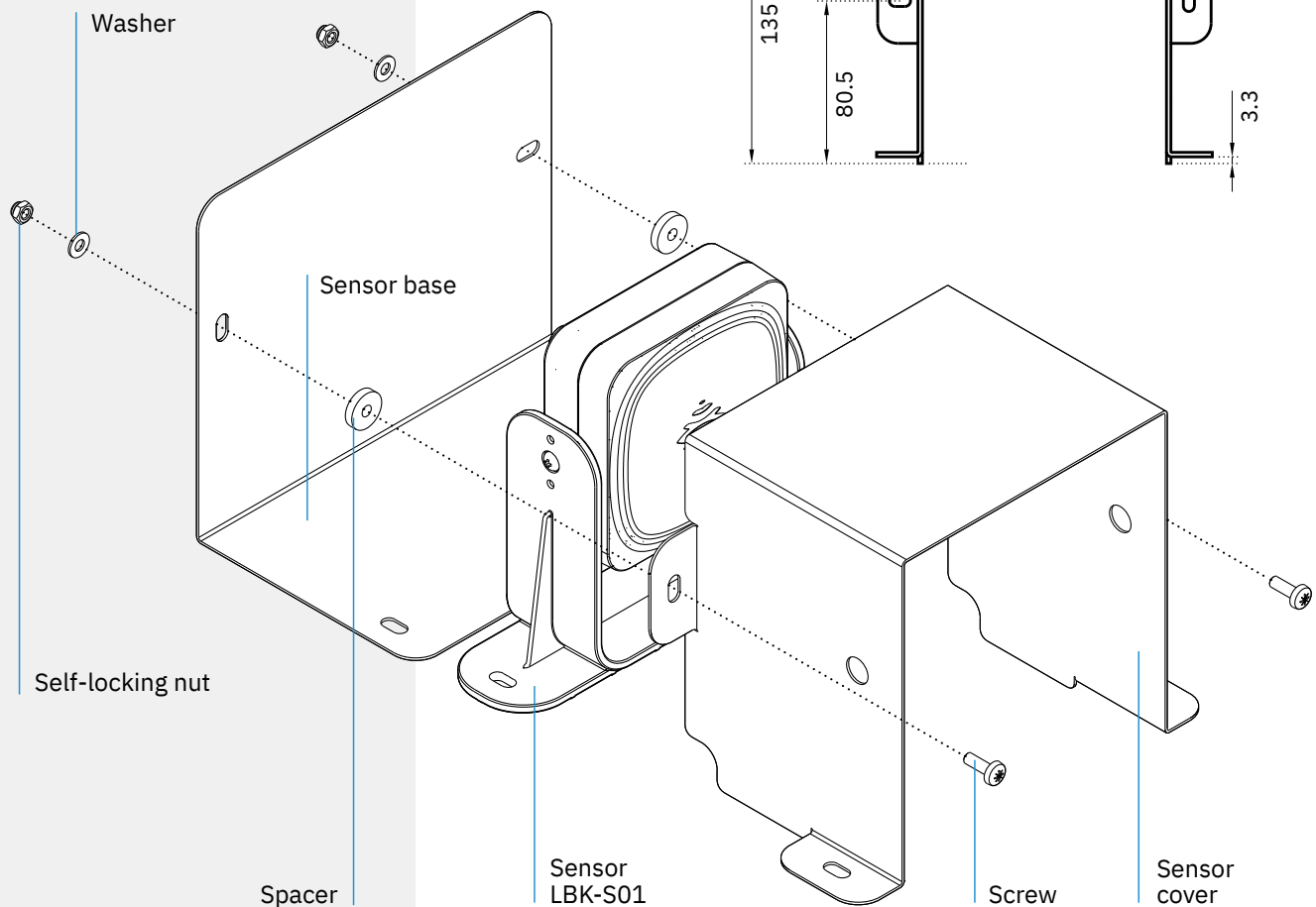
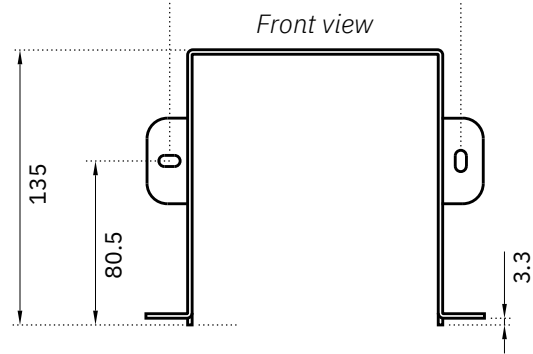
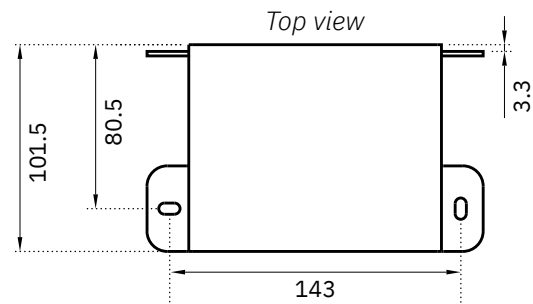
Part No. 90202ZAA

Metal protector

For LBK sensors

The metal protector ensures that Inxpect LBK sensors perform at their best even in the most challenging environmental conditions, increasing their immunity to spurious detections while reducing the possibility of damage caused by accidental impact.

AISI 304 Stainless steel



Accessories



Cables

Control unit to sensor cable:

CAN bus, totally shielded.

Control unit side: free wires

Sensor side: connector M12, female, 5 poles, A-coded, angled 90°

	Smart Sensor 100 SERIES	Smart Sensor 200 SERIES
5 m	Part No. 08000003	Part No. 08000110
10 m	Part No. 08000004	Part No. 08000111
15 m	Part No. 08000006	Part No. 08000112



Sensor to sensor cable:

CAN bus, totally shielded.

IN side: connector M12, female, 5 poles, A-coded, angled 90°

OUT side: connector M12, male, 5 poles, A-coded, angled 90°

	Smart Sensor 100 SERIES	Smart Sensor 200 SERIES
3 m	Part No. 08000007	Part No. 08000120
5 m	Part No. 08000013	Part No. 08000121
10 m	Part No. 08000014	Part No. 08000122
15 m	Part No. 08000016	Part No. 08000123



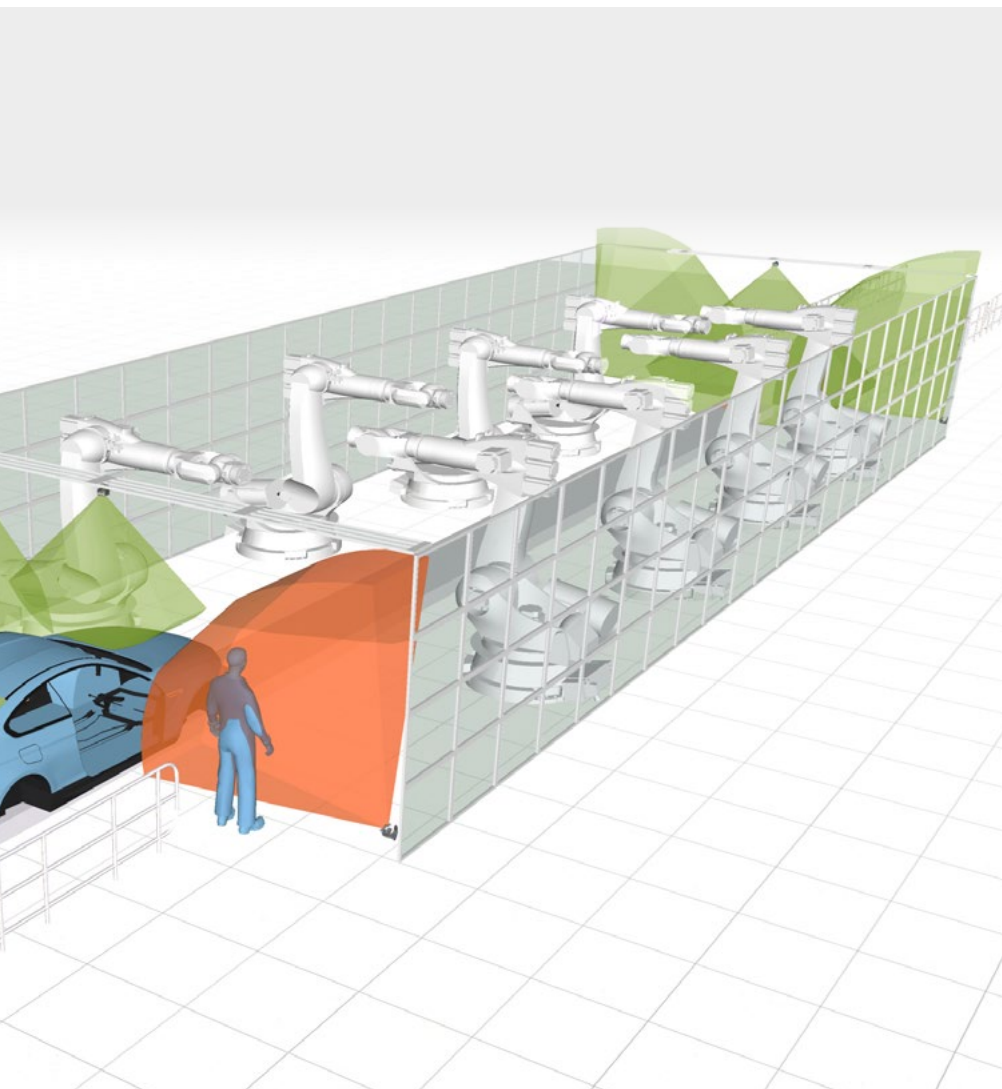
Bus terminator:

M12, male, 5 poles, A-coded, straight 180°, resistance 120 Ω

Part No. **07000003**



Inxpect Safety Radar Equipment **USE CASES**



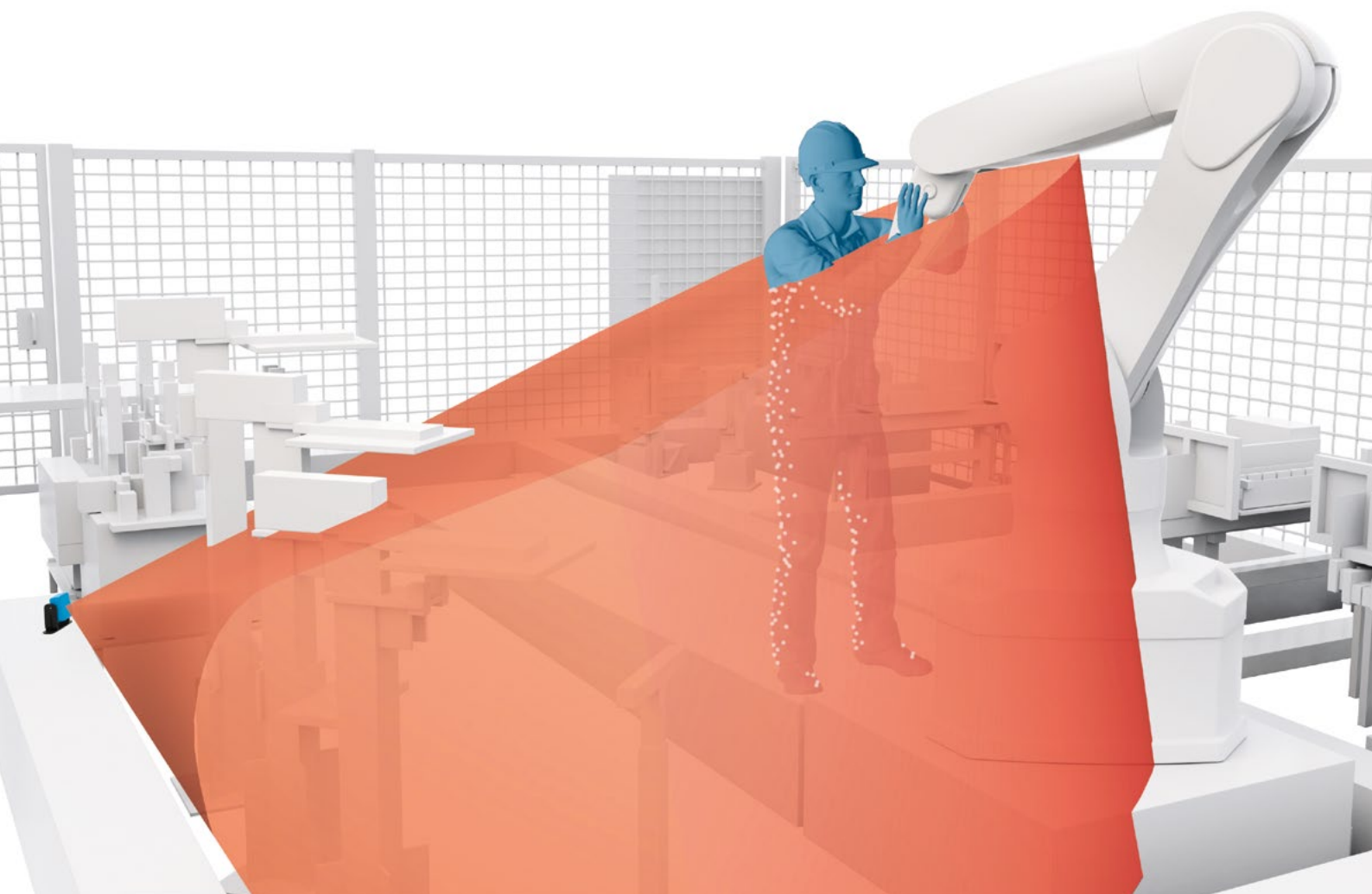
Restart prevention

Higher safety in robotic cells

Inxpect refines the state of art of robotics cell and the world of industrial safety in general. Inxpect 3D radars ensure maximum safety within dangerous areas by preventing unintentional restart while operator is in the dangerous area.

Main features:

- Natively 3D: volumetric coverage
- Adaptive to changing scenarios
- Prevent unintentional restarts
- Simplify access procedures
- Remove human error
- Improve productivity



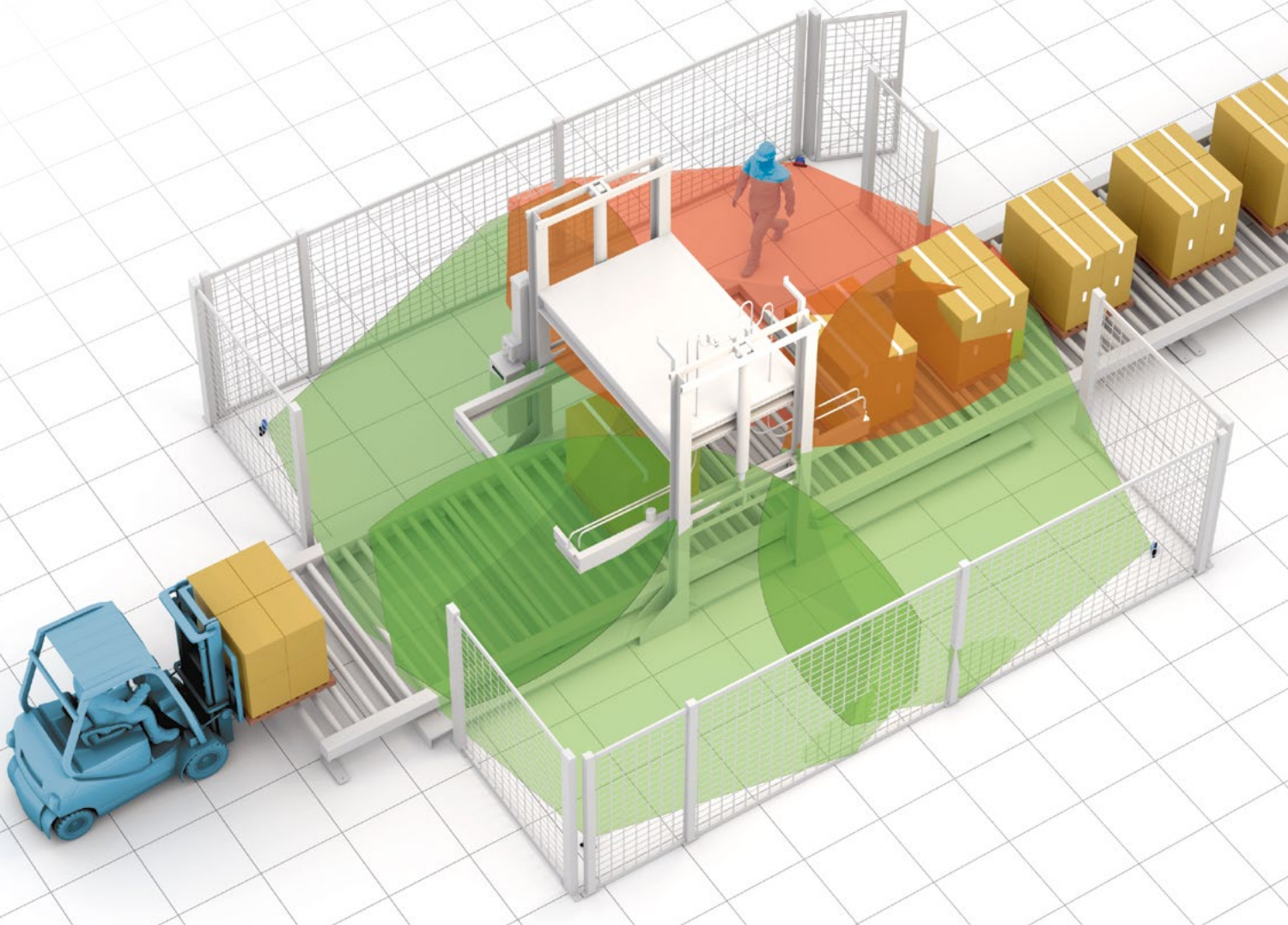
Restart prevention

Higher safety in wrapping stations

Inxpect redefines the state of the art of automatic wrapping and strapping stations. Inxpect 3D radars simplify human/machine interaction, prevent unintentional restarts and reduce residual risks, increasing efficiency and productivity.

Main features:

- Natively 3D: volumetric coverage
- Adaptive to changing scenarios
- Prevent accidental restart
- Simplify access procedures
- Improve human/machine interaction
- Remove human error
- Improve productivity



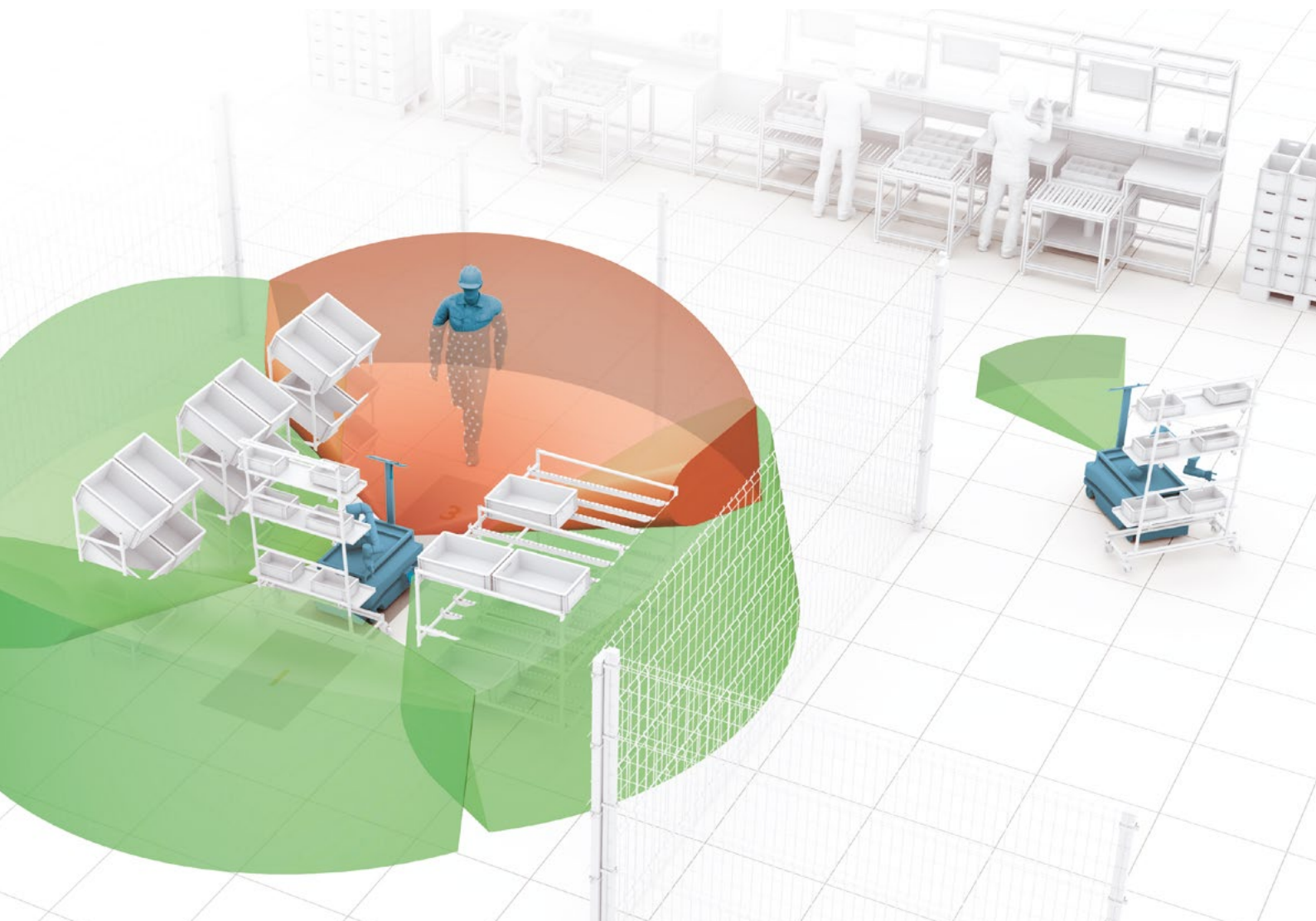
Smart collision avoidance

Indoor application: Pick and Place

Inxpect brings dynamic safety to pick and place applications. Inxpect 3D radar simplifies human/machine interaction, provides highly dynamic protection and allows for simple programming. Being adaptive to changing scenarios, Inxpect 3D radar increases efficiency and productivity.

Main features:

- Natively 3D: volumetric coverage
- Adaptive to changing scenarios
- Highly dynamic protection
- Simple programming



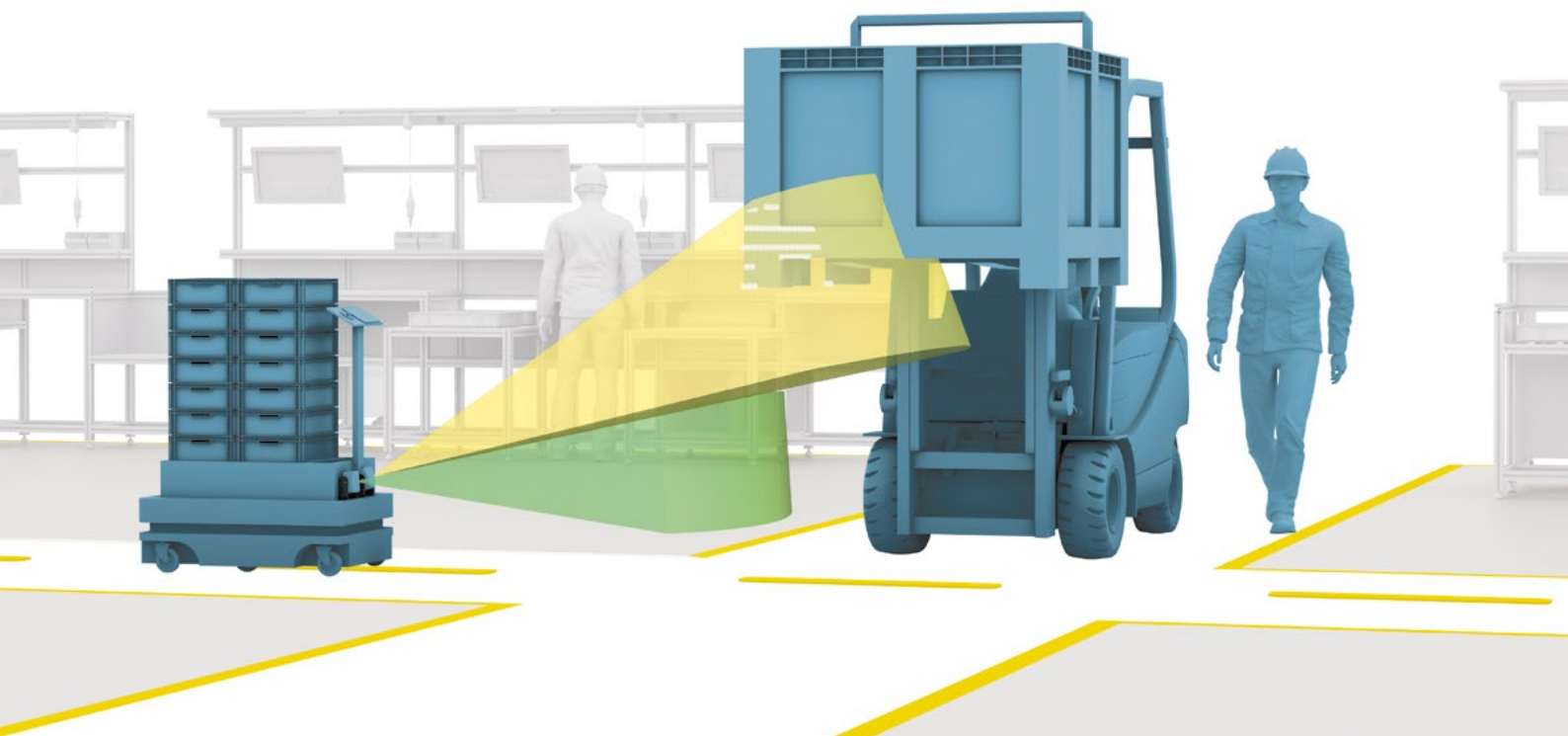
Smart collision avoidance

Indoor application: Automated Guided Vehicle

Inxpect brings dynamic safety to AGV. Inxpect 3D radars are ideal anti-collision sensor: they're robust to dust, debris, smoke, rain and light reflections. They are effective at detecting suspending loads, provide volumetric coverage and fit perfectly for indoor and outdoor applications.

Main features:

- Natively 3D: volumetric coverage
- Effective at detecting suspended loads
- Robust to smoke, dust, debris, rain, fog, snow and light reflections
- Indoor and outdoor applications



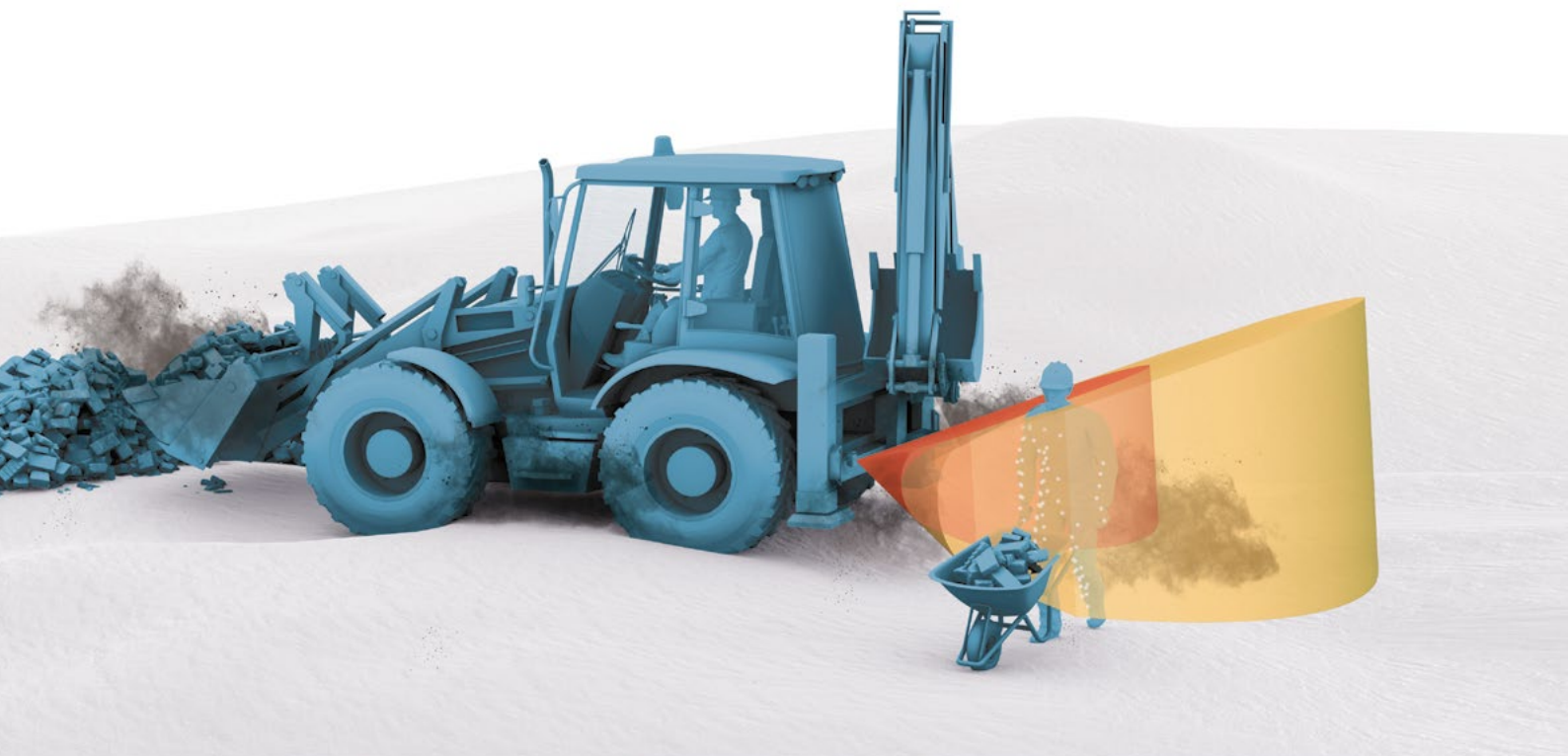
Smart collision avoidance

Outdoor application: Construction Site

Inxpect ensures maximum safety even in harsh environmental conditions. Inxpect 3D radars are an excellent aid to monitoring of the movement areas of operating machines because they allow to have a complete analysis of the area, even on multiple levels.

Main features:

- Robust to smoke, dust, debris, rain, fog, snow and light reflections
- Reduce false alarms
- Indoor and outdoor applications
- 3D radar: volumetric protection
- Operating temperature -30° $+60^{\circ}$



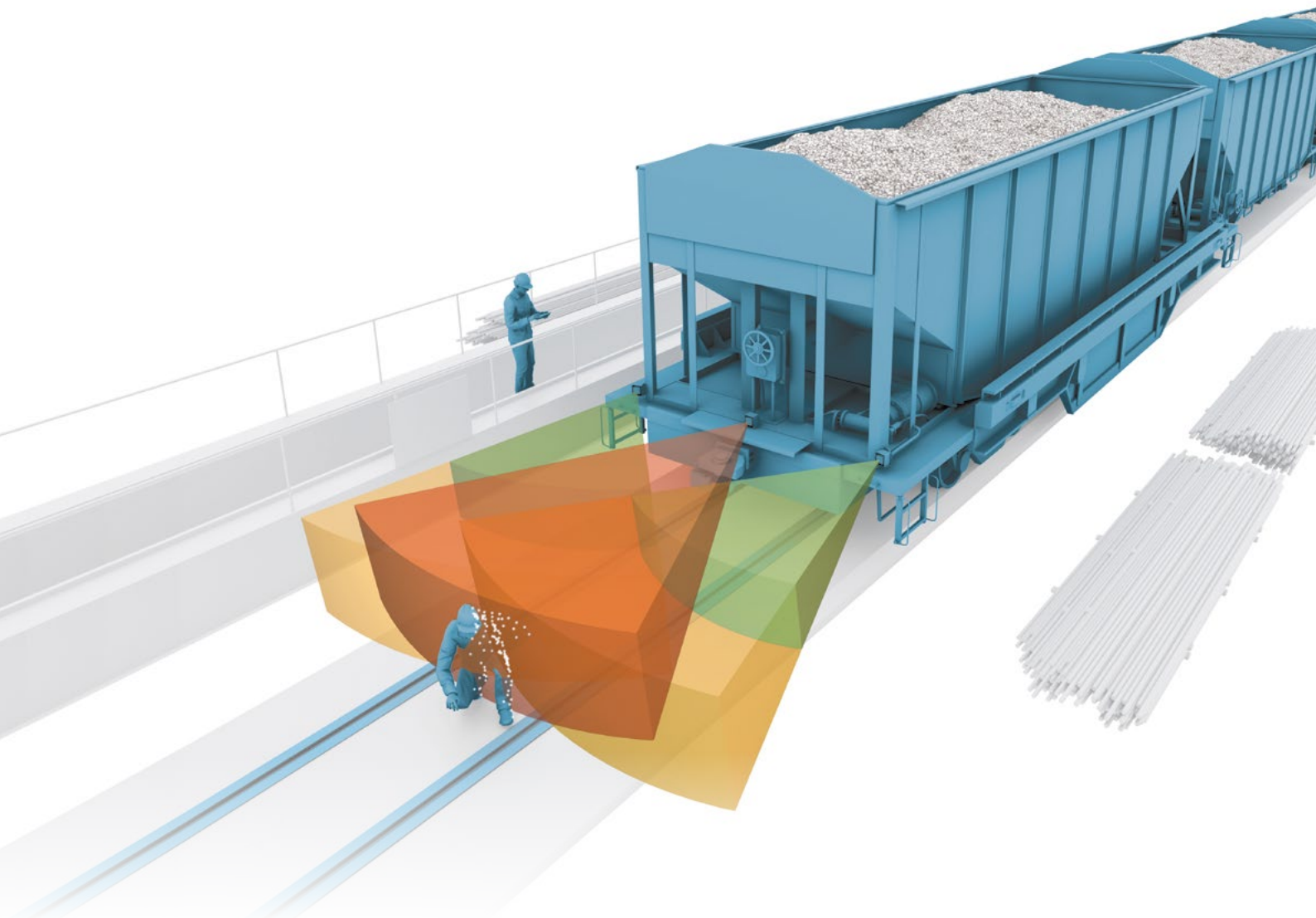
Smart collision avoidance

Outdoor application: Construction Site

Inxpect ensures maximum safety even in harsh environmental conditions. Dust, fog, rain and swarf generated by production processes do not cause false alarms. The volumetric coverage of Inxpect 3D radars prevents collision with suspended loads or airborne elements.

Main features:

- Robust to smoke, dust, debris, rain, fog, snow and light reflections
- Reduce false alarms
- 3D radar: volumetric protection
- Operating temperature -30° $+60^{\circ}$



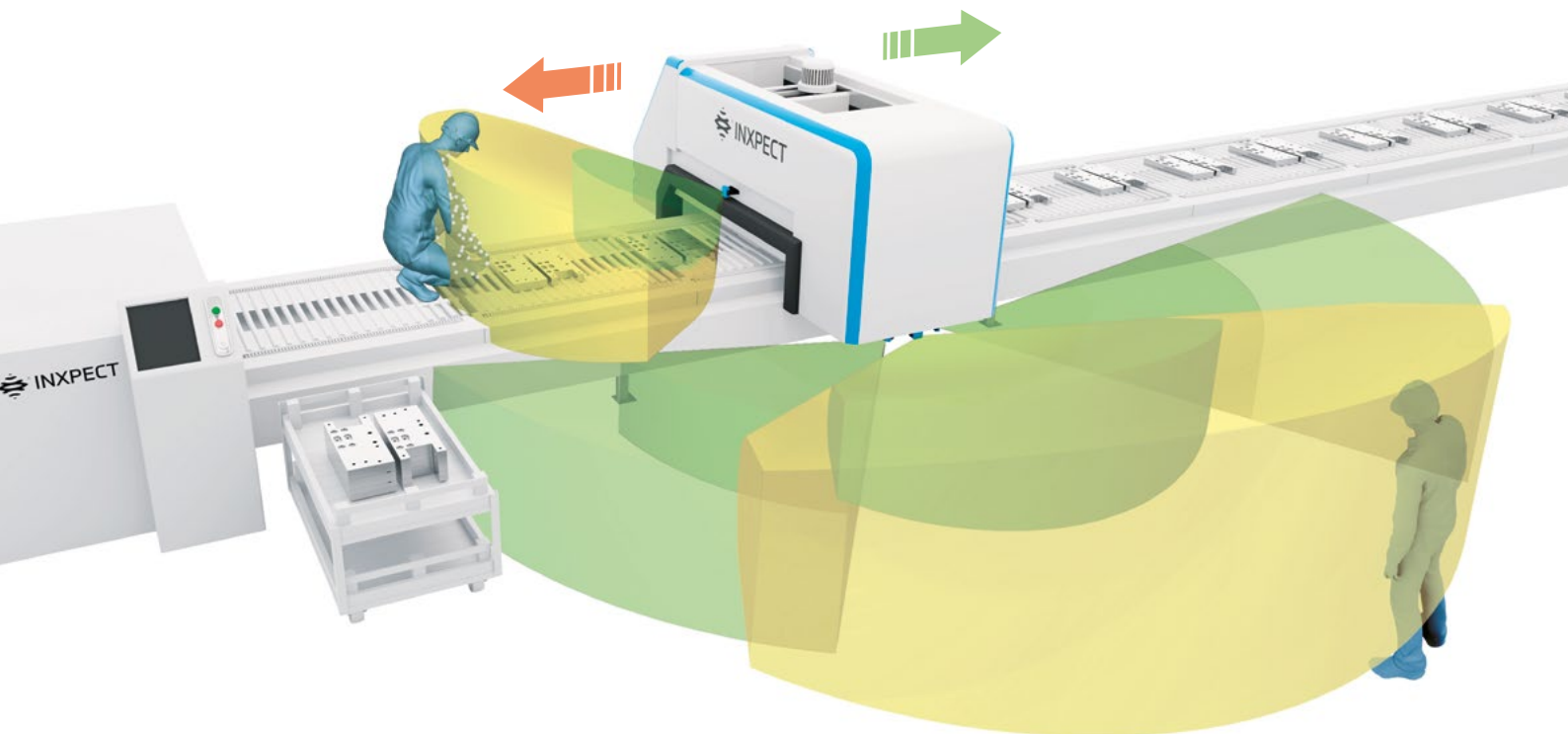
Access protection

Dynamic safety for mobile gantry machining

Inxpect redefines safety for mobile gantry machining. Thanks to the volumetric coverage, Inxpect 3D radars secure both the floor and the work surface, always ensuring maximum safety for operators.

Main features:

- Robust to debris: no more false alarms
- Natively 3D: volumetric coverage (for both floor and work surface areas)
- Prevent unintentional restarts while operator is in the dangerous area
- Remove human error



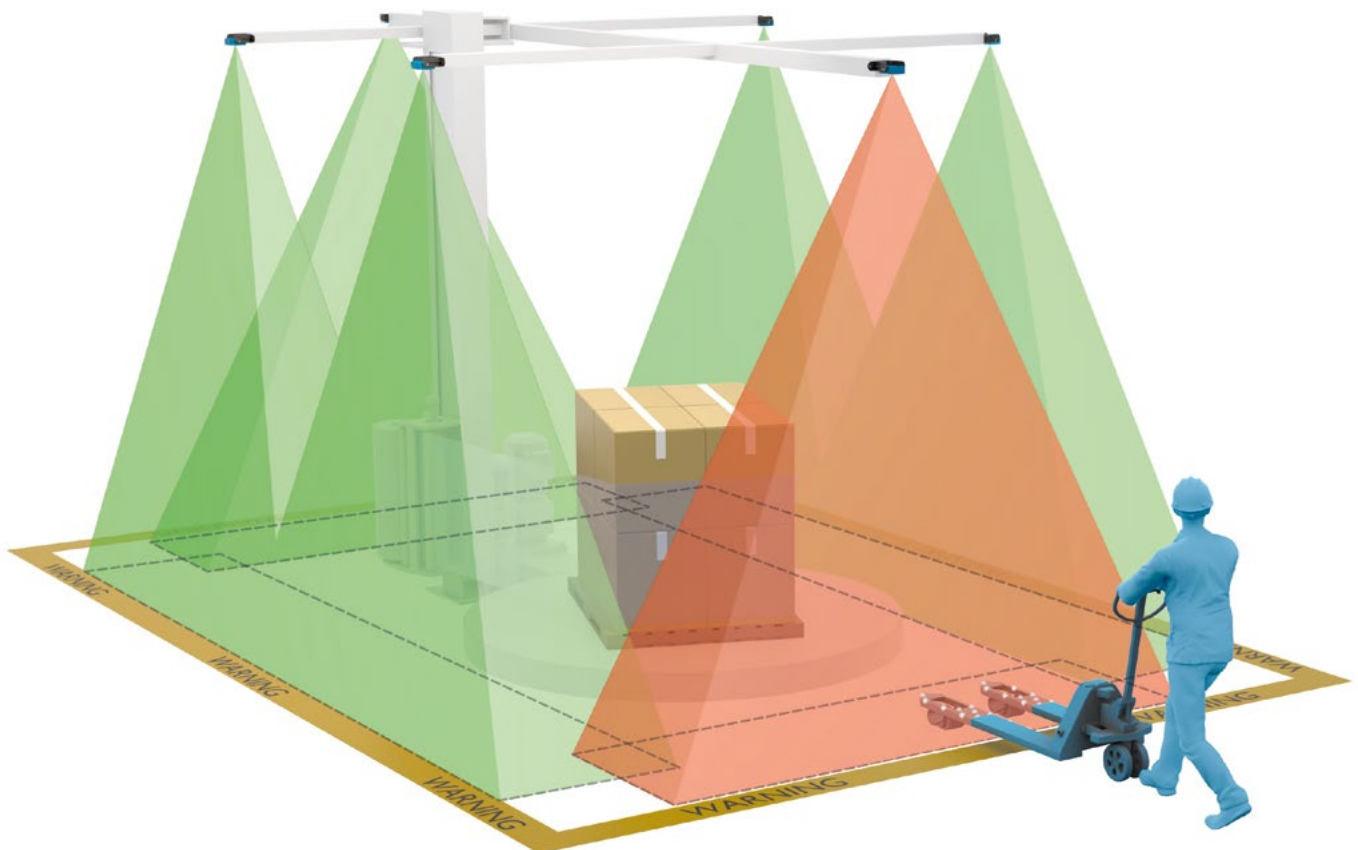
Access protection

Higher safety in wrapping stations

Inxpect redefines safety for wrapping stations. Inxpect 3D radars can be positioned overhead to create a volumetric barrier for access protection: this configuration makes a better and safer human/machine interaction.

Main features:

- Robust to smoke, dust, debris, rain, fog, snow and light reflections
- Dramatic reduction of floor occupancy
- Simplify human/machine interaction
- Improve productivity



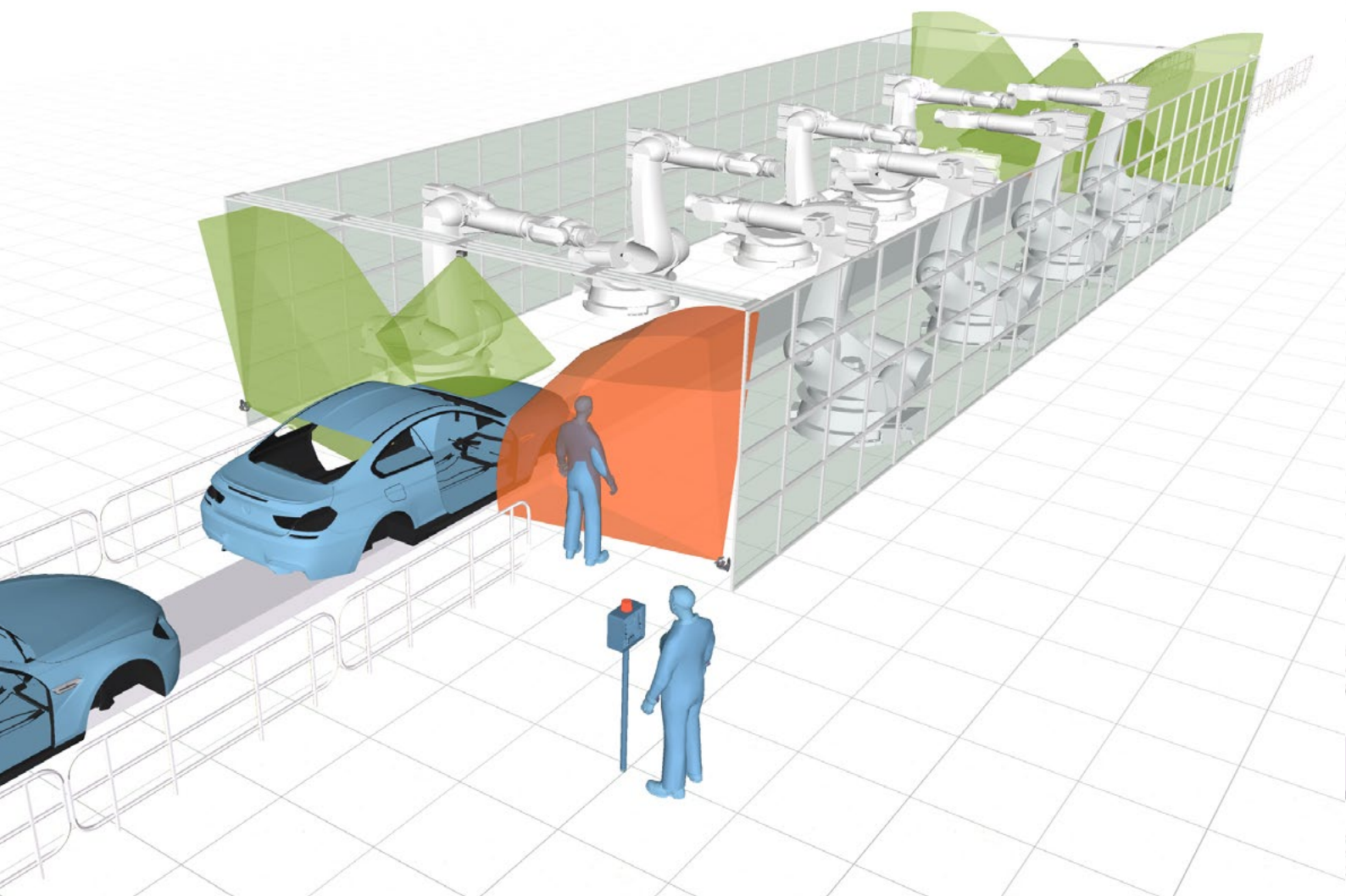
Access protection

Dynamic safety for robotic cells

Inxpect redefines safety for robotic cells. Thanks to the dynamic configurations, Inxpect's 3D radar sensors monitor the entrance to the dangerous area, always guaranteeing maximum safety for operators and at the same time without ever stopping the operating cycle of the machinery.

Main features:

- Dynamic configurations
- 3D radar: volumetric protection
- Simplify human/machine interaction
- Improve productivity



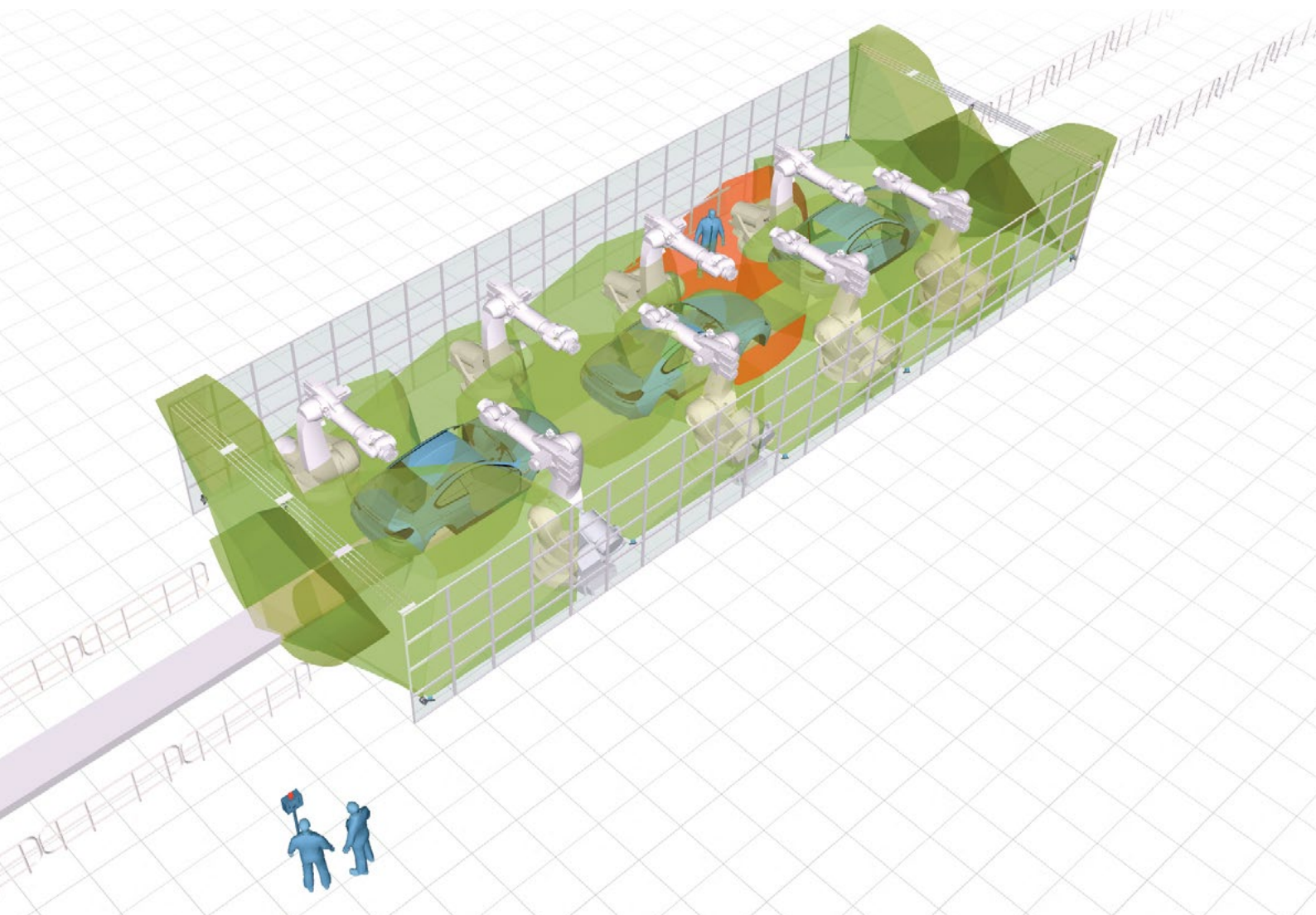
Restart prevention

Higher safety in automation robotic cells

Inxpect removes the human error for robotic cells. Inxpect 3D radars thanks to proprietary algorithms prevent unintentional restarts while operator is in the dangerous area and reduce residual risks, increasing efficiency and productivity.

Main features:

- Natively 3D: volumetric coverage
- Adaptive to changing scenarios
- Prevent unintentional restarts
- Improve human/machine interaction
- Remove human error
- Improve productivity





Inxpect S.p.A.
Via Serpente, 91
25131 Brescia
T +390305785105
safety@inxpect.com
www.inxpect.com

Distributed by



Schmersal Schweiz AG
Moosmattstraße, 3
8905 Arni (AG)
T +41 43 311 22 33
info-ch@schmersal.com
www.schmersal.com



Copyright © 2021 Inxpect S.p.A. - All rights reserved. - Designed and manufactured in Italy by Inxpect.
“Inxpect” and its logo are registered trademarks of Inxpect S.p.A. - Technical specifications subject to change without notice.